

SHERCO

Motorcycles

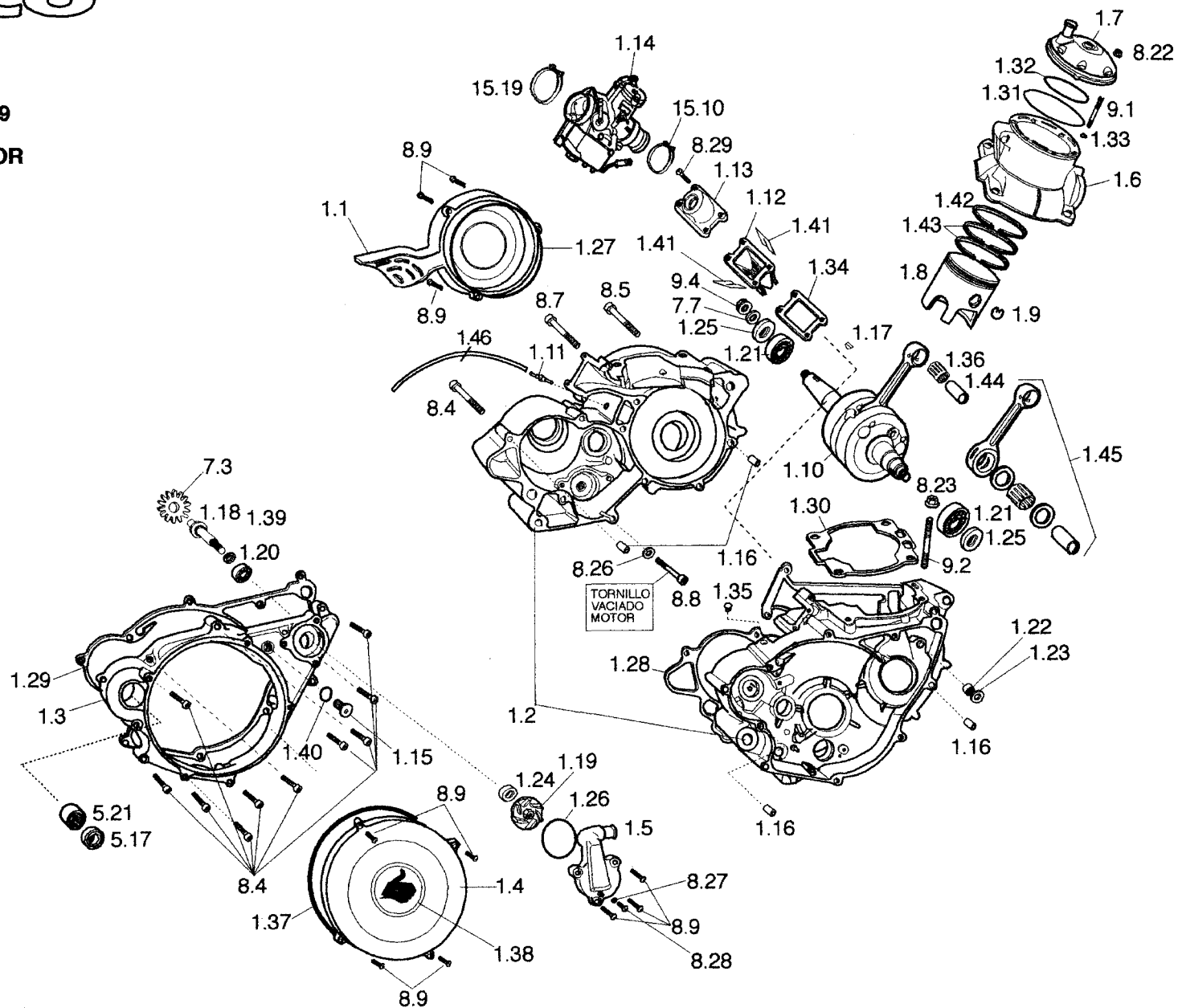
Spare part's book

1.25 | 2.0 | 2.5 | 2.9 **1999 - 2000**

SHERCO

MODELO 2.5 / 99

GRUPO 1 - MOTOR



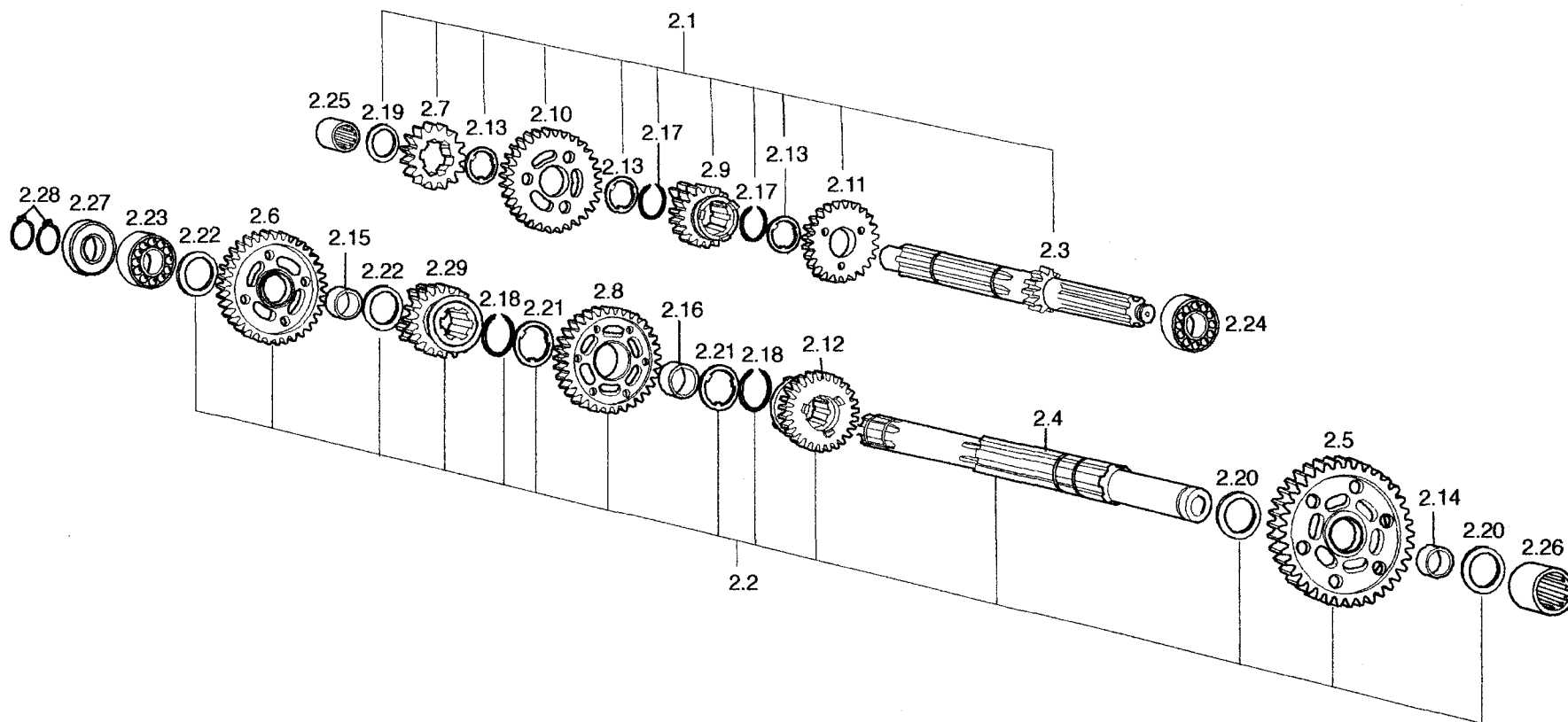
SHERCO

GRUPO 1 MOTOR				
Ref.	Cod	Español	English	Français
1.1	M001	TAPA ENCENDIDO	IGNITION COVER	CARTER ALLUMAGE
1.2	M002	CARTERS CENTRALES	CRANCKCASES SET	GROUPE CARTERS CENTRAUX
1.3	M004	CARTER LATERAL DERECHO	BOTTOM CLUTCH COVER	CARTER LATERAL DROIT
1.4	M005	TAPETA EMBRAGUE	CLUTCH COVER	COUVERCLE EMBRAYAGE
1.5	M006	TAPA BOMBA AGUA	WATER PUMP COVER	COUVERCLE POMPE EAU
1.6	M007	CILINDRO	CILYNDER	CYLINDRE
1.7	M008	CULATA	CILYNDER HEAD	CULASSE
1.8	M009	PISTON	PISTON	PISTON COMPLET
1.9	M013	SERCLIP PISTON	PISTON SIRCLIPS	CIRCLIPS PISTON
1.10	M014	CIGUEÑAL COMPLETO	RIGHT CRANCKSHAFT	VILEBREQUIN COMPLET
1.11	M016	DEPRESOR CARTERS	AIR VENT CRANCKCASES	RENIFLAR CARTER CENTRAL
1.12	M018	CAJA DE LAMINAS	REEDS CASE	BOITE A CLAPETS
1.13	M019	TOBERA ADMISION	ADMISION PIPE	PIPE ADMISSION
1.14	M020	CARBURADOR COMPLETO	CARBURETOR COMPLETE	CARBURATEUR COMPLET
1.15	M021	TAPON LLENADO ACEITE CARTER	CARTER FILTER TAP	BOUCHON REMPLISSAGE HUILE
1.16	M022	CASQUILLO CENTRADOR CARTER	DOUILLE CENTRAGE CARTER	DOUILLE CENTRAGE CARTER
1.17	M023	CHAVETA ENCENDIDO	WOODRUFF KEY	CLAVETTE DEMI LUNE VIL
1.18	M025	EJE BOMBA AGUA	WATERPUMP AXLE	AXE POMPE A EAU
1.19	M026	TURBINA BOMBA AGUA	WATERPUMP TURBINE	TURBINE DE POMPE A EAU
1.20	M027	COJINETE BOMBA AGUA 608 2RS	WATERPUMP BEARING	ROULEMENT BILLE POMPE EAU 608.2RS
1.21	M028	COJINETE CIGUEÑAL 6206 C3	CRANCKSHAFT BEARING	ROULEMENT BILLE VILO 6206.C3
1.22	M029	COJINETE AGUJAS BOMBA AGUA HK0808B	WATERPUMP NEEDLE BEARING	ROULEMENT AIGUILLE POMPE EAU
1.23	M030	ARANDELA BOMBA AGUA	WATERPUMP BUSH	RONDELLE BUTEE POMPE A EAU 8x16x1
1.24	M031	RETEN BOMBA AGUA	WATERPUMP SEAL	JOINT LEVRE POMPE A EAU 8x20x5DL
1.25	M032	RETEN CIGUEÑAL	CRANCKSHAFT SEAL	JOINT LEVRE VILO 24x40x7DL
1.26	M033	JUNTA TORICA TAPA BOMBA AGUA	O-RING WATERPUMP COVER	JOINT TORIQUE COUVERCLE POMPE
1.27	M034	JUNTA TORICA TAPA ENCENDIDO	O-RING IGNITION COVER	JOINT TORIQUE COUVERCLE ALLUMAGE
1.28	M035	JUNTA CARTER CENTRAL	CENTRAL CRANCKCRASE GASKET	JOINT CARTER CENTRAL
1.29	M036	JUNTA CARTER LATERAL	CLUTCH GASKET	JOINT CARTER LATERAL
1.30	M037	JUNTA CILINDRO	CILYNDER GASKET	JOINT EMBASE CYLINDRE
1.31	M038	JUNTA TORICA CULATA 100X2	CILYNDER HEAD O-RING 100x2	JOINT TORIQUE CULASSE 100x2 VITON
1.32	M039	JUNTA TORICA CULATA 75X2	CILYNDER HEAD O-RING 75x2	JOINT TORIQUE CULASSE 75x2 VITON
1.33	M040	JUNTA TORICA TORNILLO CULATA 5,7X1,9	CILYNDER HEAD O-RING BOLT	JOINT TORIQUE CYLINDRE 5.7x1.9
1.34	M041	JUNTA CAJA LAMINAS	REEDS CASE GASKET	JOINT BOITE CLAPET
1.35	M042	TAPON ACEITE CARTER CENTRAL	CRANCKCASE OIL TAP	BOUCHON CIRCUIT HUILE CARTER CENT
1.36	M043	COJINETE AGUJAS PISTON KBK 18X22X24	PISTON NEEDLE BEARING	CAGE AIGUILLE PISTON KBK 18x22x24
1.37	M045	JUNTA TORICA 155X2 TAPA EMBRAGUE	O-RING 155x2	JOINT TORIQUE 155x2
1.38	M048	ADHESIVO CARTER BULTACO	THUMBS ENGINE STICKER	ADESIF RESINE (POUCE)
1.39	M049	ARANDELA 8X14X0,5 BOMBA AGUA	WASHER 8x14x0.5	RONDELLE 8x14x0.5
1.40	M162	JUNTA TORICA TAPON ACEITE	O-RING	TORIQUE 10x2.5 BOUCHON HUILE
1.41	R022	JUEGO LAMINAS	REED VALVES	CLAPET RECHANGE
1.42	R011	ARO L	RING L	SEGMENT L
1.43	R012	ARO RECTANGULAR	RING NORMAL	SEGMENT RECTANGULAIRE
1.44	R013	BULON PISTON	PISTON PIN	AXE DE PISTON
1.45	R021	KIT BIELA	CRANCKSHAFT REPAIR KIT	KIT BIELLE
1.46	M017	TUBO DEPRESOR 3X5	CRANCKCRASE BREATHER	DURITE RENIFLAR 3X5

SHERCO

MODELO 2.5 / 99

GRUPO 2 - CAJA DE CAMBIOS



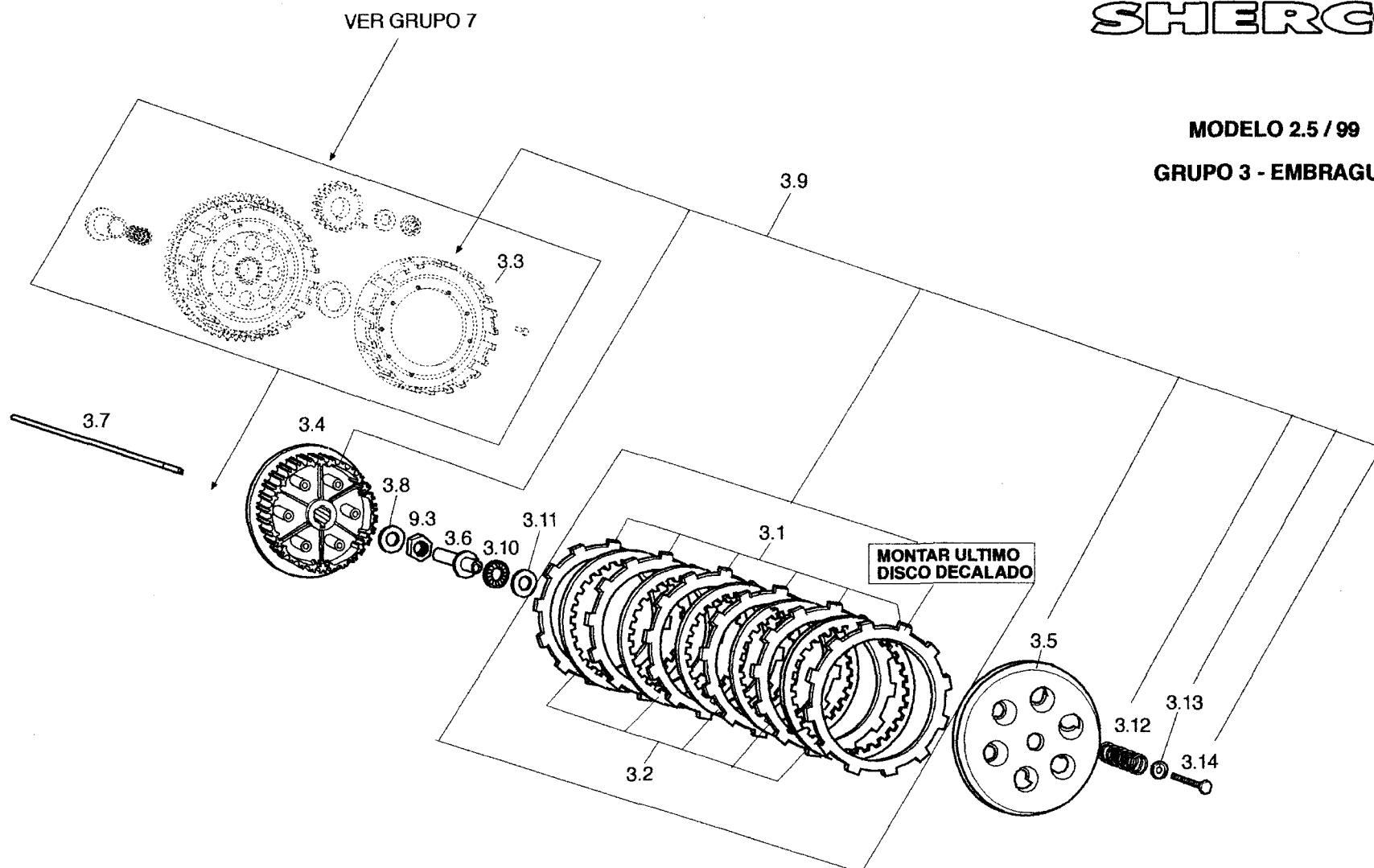
SHERCO

GRUPO 2 CAJA DE CAMBIOS			English	Français
Ref.	Cod	Español		
2.1	M050	CJTO EJE PRIM. CAMBIO	GROUP FIRST SHAFT WITH PINION	ENSEMBLE ARBRE PRIMAIRE
2.2	M051	CJTO EJE SECUN. CAMBIO	GROUP SECOND SHAFT WITH PINION	ENSEMBLE ARBRE SECONDAIRE
2.3	M053	EJE PRIMARIO	CLUTCH SHAFT	ARBRE PRIMAIRE ET PIGNON DE 1ERE
2.4	M054	EJE SECUNDARIO	MAINSHAFT	ARBRE SECONDAIRE
2.5	M055	CORONA DE 1a	FREE PINION 1ER	ROUE LIBRE DE 1ERE
2.6	M056	CORONA DE 2a	FREE PINION 2EME	ROUE LIBRE DE 2EME
2.7	M057	PIÑON DE 2a	GEAR PINION 2EME	PIGNON FIXE DE 2EME
2.8	M058	CORONA DE 3a	FREE PINION 3EME	ROUE LIBRE DE 3EME
2.9	M059	PIÑON DESPLAZABLE 3a	GEAR PINION 3EME	PIGNON BALADEUR DE 3EME
2.10	M061	CORONA DE 5a	FREE PINION 5EME	ROUE LIBRE DE 5EME
2.11	M062	PIÑON DE 4a	GEAR PINION 4EME	PIGNON LIBRE DE 4EME
2.12	M063	CORONA DESPLAZABLE DE 4a	FREE PINION 4EME	ROUE BALADEUSE DE 4EME
2.13	M064	ARANDELA ESTRIADA	GEAR WASHER	RONDELLE CRENEAUX 20x24x1
2.14	M065	CASQUILLO ANTI-FRICCION 1a	BUSH 1ERE	DOUILLE ANTI FRICTION 1ERE
2.15	M066	CASQUILLO ANTI-FRICCION 2a	BUSH 2EME	DOUILLE ANTI FRICTION 2EME
2.16	M067	CASQUILLO ANTI-FRICCION 3a	BUSH 3EME	DOUILLE ANTI FRICTION 3EME
2.17	M068	SIGER WR 20	RETAINING WR 20	SEGMENT ARRET WR20
2.18	M069	SIGER WR 22	RETAINING WR 22	SEGMENT ARRET WR22
2.19	M070	ARANDELA INA EJE PRIMARIO	THRUST WASHER	RONDELLE INA ARBRE PRIMAIRE
2.20	M071	ARANDELA EJE SECUNDARIO	MAINSHAFT WASHER	RONDELLE ARBRE SECONDAIRE 17x27x1
2.21	M072	ARANDELA ESTRIADA EJE SECUNDARIO	WASHER	RONDELLE CRENEAU ARBRE
2.22	M073	ARANDELA EJE SECUNDARIO	MAINSHAFT WASHER	RONDELLE ARBRE SECONDAIRE 20x27x1
2.23	M074	COJINETE 20X47X14 6204	BEARING 20x47x14	ROULEMENT 20x47x14
2.24	M075	COJINETE 20X47X14SR	BEARING 20x47x14RSR	ROULEMENT 20x47x14 RSR
2.25	M076	CASQUILLO DE AGUJAS 15X21X12	NEEDLE BEARING 15x21x12	DOUILLE AIGUILLE 15x21x12
2.26	M077	CASQUILLO DE AGUJAS HK1712B	NEEDLE BEARING 17x23x12	DOUILLE AIGUILLE HK1712B
2.27	M078	RETEN DOBLE LABIO 20X30X7	OIL SEAL 20x30x7	JOINT DOUBLE LEVRE 20x30x7
2.28	M350	SEGMENT ARRET WR19	SEGMENT ARRET WR 19	SEGMENT ARRET WR20 SORTIE BOITE
2.29	M060	PIÑON DE 5a	GEAR PINION 5EME	PIGNON LIBRE DE 5EME

SHERCO

MODELO 2.5 / 99

GRUPO 3 - EMBRAGUE



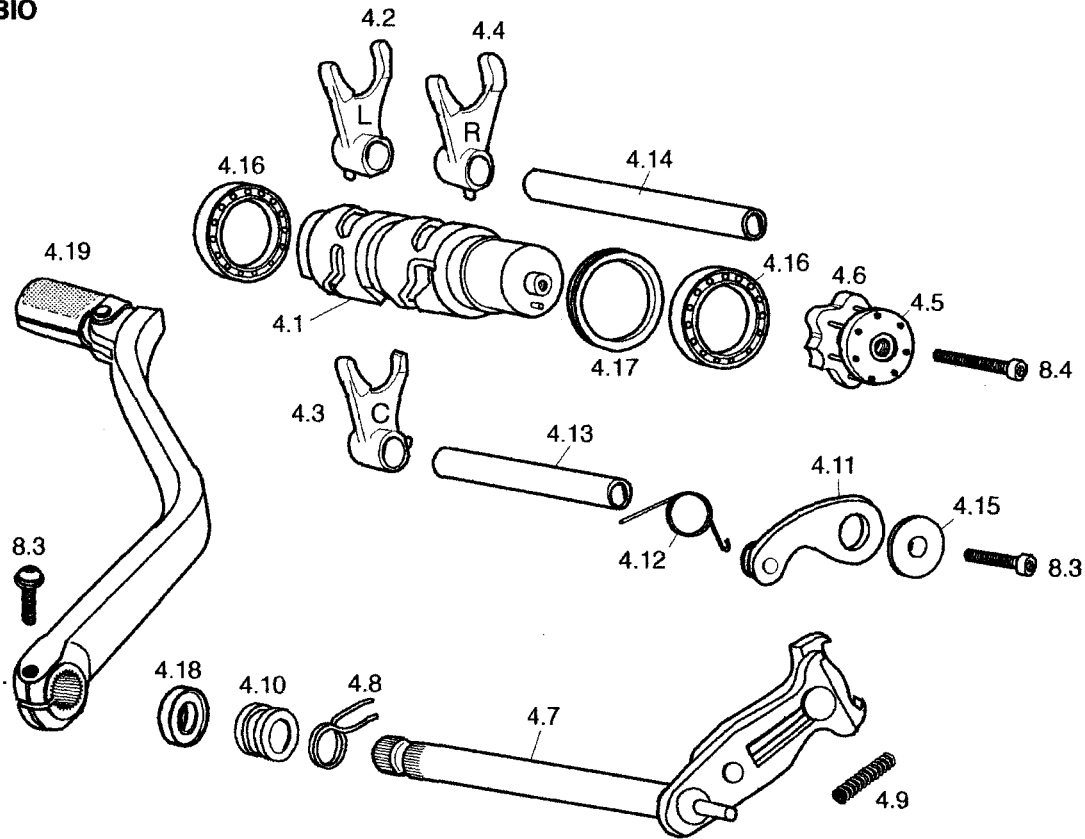
SHERCO

GRUPO 3 EMBRAGUE			English	Français
Ref.	Cod	Español		
3.1	M080	DISCO EMBRAGUE FORRADO	FRICTION CLUTCH DISK	DISQUE GARNI
3.2	M081	DISCO EMBRAGUE METALICO	METAL CLUTCH DISK	DISQUE LISE
3.3	M082	CAMPANA EMBRAGUE	CLUTCH HOLDER	CLOCHE
3.4	M083	CUBO EMBRAGUE	CLUTCH HUB	NOYAU
3.5	M084	PLATO EMBRAGUE	CLUTCH SPRING HOLDER	PLATEAU
3.6	M085	PULSADOR AXIAL	CLUTCH PULLER	POUSSOIR AXIAL
3.7	M086	VARILLA EMBRAGUE	CLUTCH SPINDLE	TIGE DE POUSSEE
3.8	M087	ARANDELA FIJACION 16,3X31,5X1,5	FIXING BUSH 16.3x31.5x1.5	RONDELLE BELLEVILLE 16.3x31.5x2
3.9	M089	GRUPO EMBRAGUE COMPLETO	COMPLETE CLUTCH SET	GROUPE CPL EMB
3.10	M090	CASQUILLO AGUJAS EMBRAGUE AXK1226A	CLUTCH BEARING	BUTEE AIGUILLE EMBAXK1226A
3.11	M091	ARANDELA AS122,6	SPRING BUSH	RONDELLE BUTEE AS 12.26.1
3.12	M092	MUELLE EMBRAGUE	CLUTCH SPRING HOLDER	RESSORT EMB
3.13	M093	ARANDELA EMBRAGUE	CLUTCH WASHER FOR SPRING	RONDELLE EMB
3.14	M094	TORNILLOS MUELLE EMBRAGUE	SCREW CLUTCH SPRING	VIS EMB
3.15	R030	CONJUNTO BOMBA EMBRAGUE 9,5	CLUTCH FRONT PUMP ASSY	POMPE EMB CPL
3.16	R031	MANETA EMB	CLUTCH LEVER	LEVIER EMB SEUL
3.17	R032	PINZA EMBRAGUE COMPLETA	PECEPTEUR CLUTCH CPL	RECEPTEUR EMB CPL
3.18	R033	LATIGUILLO EMBRAGUE	CLUTCH HOSE	DURITE EMBRAYAGE
3.19	R024	TORICA EMBRAGUE	CLUTCH SLAY CYLINDER O-RING	TORIQUE EMBRAYAGE
3.20	R023	KIT REPARACION EMBRAGUE	CLUTCH REPAIR KIT	KIT REP. EMBRAYAGE

SHERCO

MODELO 2.5 / 99

GRUPO 4 - SELECTOR CAMBIO



SHERCO

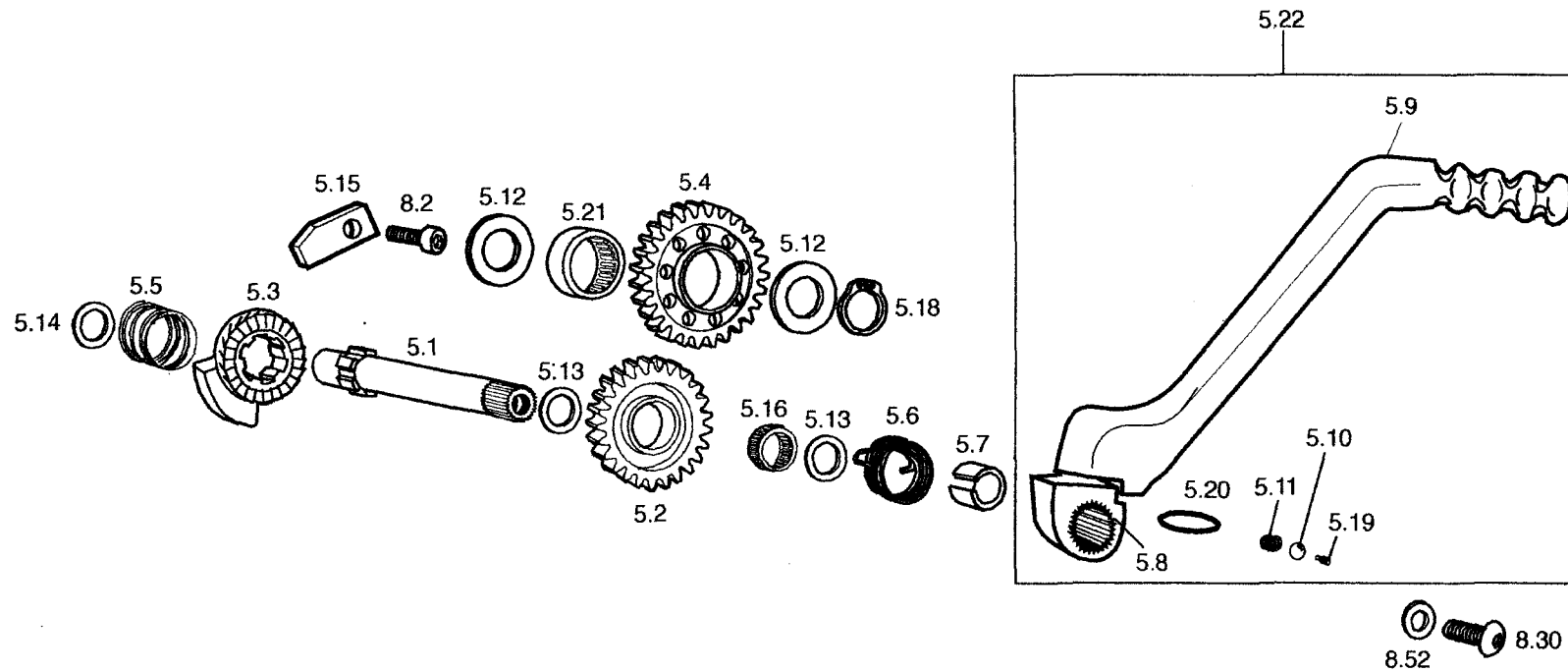
GRUPO 4 SELECTOR CAMBIO				
Ref.	Cod	Español	English	Français
4.1	M100	DESMODROMICO SELECTOR	SELECTOR DRUM	TAMBOUR DE SELECTION
4.2	M102	HORQUILLA L	L FORK	FOURCHETTE L
4.3	M103	HORQUILLA C	C FORK	FOURCHETTE C
4.4	M104	HORQUILLA R	R FORK	FOURCHETTE R
4.5	M105	ESTRELLA SELECTOR	INDEX SHIM	ETOILE DE SELECTION CPL
4.6	M106	AGUJA DE SELECTOR INA	NEEDLE PIN	PION ETOILE INA NRA 3x17.8
4.7	M107	ARBOL SELECTOR	SHIFT SHAFT WITH PAWL ASSY	ARBRE DE SELECTEUR CPL
4.8	M110	MUELLE RETORNO SELECTOR	SPRING SHIFT LEVER	RESSORT RAPPEL SELECTION
4.9	M111	MUELLE RETORNO ESCORPION	SPRING COULISSEAU	RESSORT RAPPEL COULISSEAU
4.10	M113	CASQUILLO CENTRAJE MUELLE	SPACER SPRING SHIFT LEVER	DOUILLE CENTRAGE RESSORT RAPPEL
4.11	M114	PALANCA DE CIERRE SELECTOR	INDEX LEVER ASSY	LEVER DE VERROUILLAGE CPL
4.12	M117	MUELLE RETORNO PALANCA DE CIERRE	INDEX SPRING	RESSORT DE RAPPEL LEVIER VERROUIL
4.13	M118	EJE DE HORQUILLA CORTO	FORK SPINDLE	AXE DE FOURCHETTE COURT
4.14	M119	EJE DE HORQUILLA LARGO	FORK SPINDLE LONG	AXE DE FOURCHETTE LONG
4.15	M121	CASQUILLO PALANCA CIERRE	COLLAR	DOUILLE LEVIER VERROUILLAGE
4.16	M123	COJINETE 25X37X7 R61805	BEARING 25x37x7	ROULEMENT 25x37x7 R6 1805
4.17	M124	RETEN 28X37X4	OIL SEAL G28x37x4	JOINT A LEVRE G28x37x4
4.18	M126	RETEN 12X19X5	OIL SEAL 12x19x5	JOINT LEVRE 12x19x5DL
4.19	M127	PALANCA DE CAMBIO	SHIFT LEVER ASSY	SELECTEUR EXTERIEUR

SHERCO

MODELO 2.5 / 99

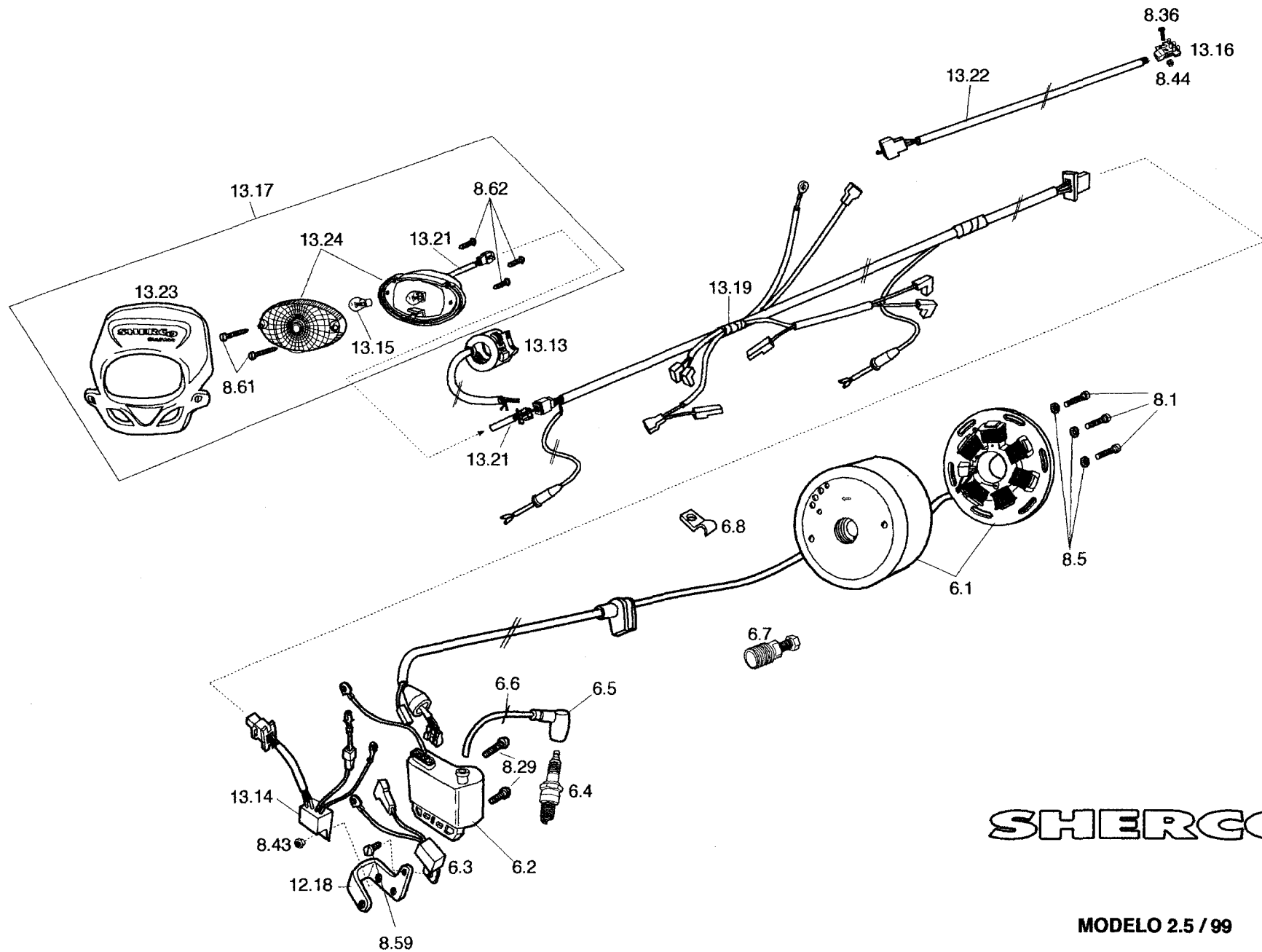
GRUPO 5 - SISTEMA DE ARRANQUE

10



SHERCO

GRUPO 5 SISTEMA DE PUESTA EN MARCHA				
Ref.	Cod	Español	English	Français
5.1	M150	EJE ARRANQUE	KICKSTART AXLE	ARBRE LANCEUR
5.2	M151	PIÑON TRINQUETE	KICKSTART PINION	PIGNON LIBRE DENT DE LOUP
5.3	M152	TRINQUETE DESPLAZABLE	FREE RATCHET KICKSTART	COULISSEAU DENT DE LOUP
5.4	M153	RUEDA INTERMEDIA	IDLE GEAR KICKSTART	ROUE INTERMEDIAIRE
5.5	M155	MUELLE TRINQUETE	COMPRESSION SPRING	RESSORT COULISSEAU D DE L
5.6	M156	MUELLE DE RETORNO	KICK SATRTING SPRING	RESSORT DE RAPPEL
5.7	M157	CASQUILLO CENTRAJE MUELLE	SPACER SPRING KICK START	DOUILLE CENTRAGE RESSORT
5.8	M158	MUÑEQUILLA PEDAL ARRANQUE	KICKSTART BOTTOM	NOIX DE KICK
5.9	M159	PEDAL ARRANQUE	KICKSTART PEDAL	LEVIER DE KICK
5.10	M160	BOLA 5.5	5.5 BALL	BILLE 5.5
5.11	M161	MUELLE PULSADOR BOLA	BALL SPRING	RESSORT DE POUSSEE BILLE
5.12	M163	ARANDELA INA AS17,30	WASHER INA AS 17x30x1	RONDELLE INA AS 17x30x1
5.13	M164	ARANDELA EJE ARRANQUE 17X25X1	WASHER 17x25x1	RONDELLE ARBRE 17x25x1
5.14	M165	ARANDELA EJE ARRANQUE 16X25X1	WASHER 16x25x1	RONDELLE ARBRE 16x25x1
5.15	M166	TOPE TRINQUETE DESPLAZABLE	TOP RATCHET	BUTEE COULISSEAU D DE L
5.16	M167	JAULA AGUJAS PIÑON TRINQUETE	NEEDLE BEARING K17x20x10	CAGE AIGUILLE PIGNON DENT LOUP
5.17	M170	RETEN DOBLE LABIO	OIL SEAL 17x28x5DL	JOINT DOUBLE LEVRES 17x28x5DL
5.18	M171	SIGER DIAMETRO 17	RETAINING RING17	SEGMENT ARRET DIAN 17
5.21	M077	JAULA AGUJAS HK1712	NEEDLE ROLLER BEARING	DOUILLE AGUILLE HK1712B
5.19	M169	PRISIONERO	GRUB SCREW	VIS SANS TETE
5.20	M168	TORICA	O-RING	TORIQUE 14X2
5.22	M149	PEDAL COMPLETO	COMPLETE KICKSTART	KICK COMPLETE



SHERCO

MODELO 2.5 / 99
GRUPO 6 - SISTEMA ELECTRICO

SHERCO

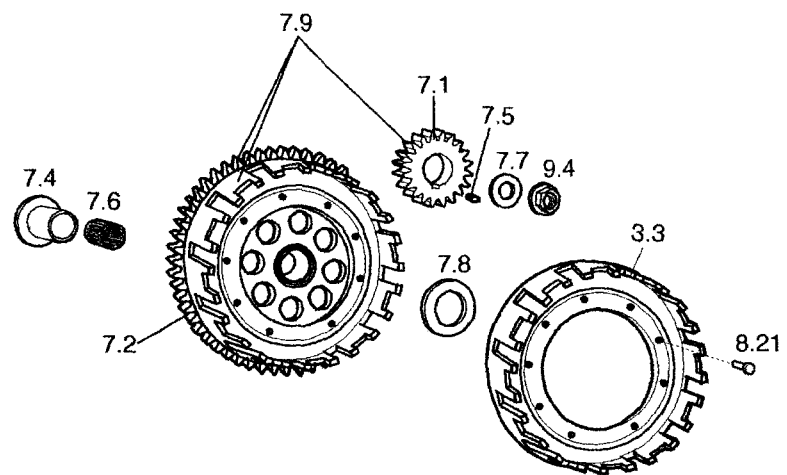
13

GRUPO 6 ENCENDIDO				
Ref.	Cod	Español	English	Français
6.1	M180	ENCENDIDO COMPLETO	IGNITION COMPLETE	ALLUMAGE CPL
6.2	M181	BOBINA	COIL	BOBINE HT
6.3	M182	REGULADOR	REGULATOR	REGULATEUR
6.4	M183	BUJIA	SPARK PLUG	BOUGIE
6.5	M184	PIPA BUJIA	SPARK PLUG CAP	ANTI PARASITE
6.6	M185	CABLE BUJIA	SPARK PLUG CABLE	CABLE DE BOUGIE
6.7	R075	EXTRACTOR ENCENDIDO	PULLER FOR FLYWEEL	OUTIL EXTRACTEUR ROTOR ALLUMAGE
6.8	M273	CLIP NORMA	WIRE LOOM CLIP	CAVALIER NORMA BSL 1X8

SHERCO

MODELO 2.5 / 99

GRUPO 7 - TRANSMISION PRIMARIA



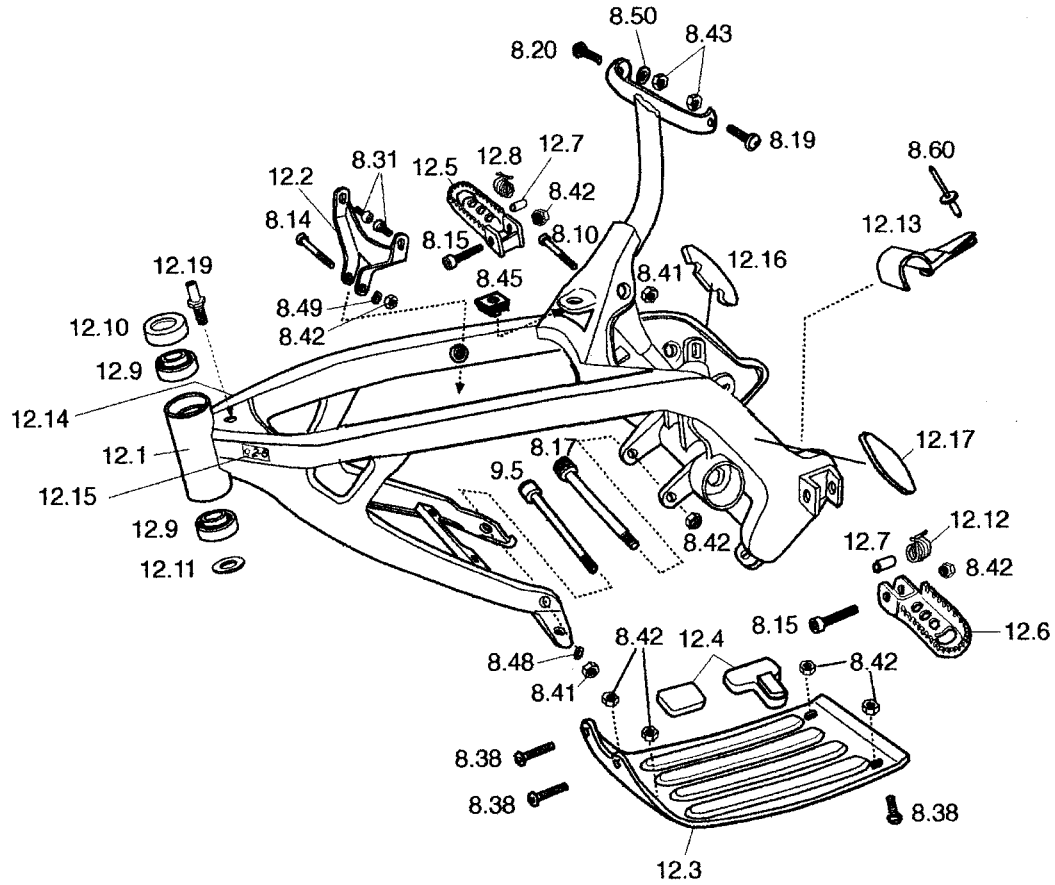
SHERCO

15

GRUPO 7 TRANSMISION PRIMARIA			English	Français
Ref.	Cod	Español		
7.1	M200	PIÑON PRIMARIA	PINION PRIMARY DRIVE	PIGNON PRIMAIRE
7.2	M201	RUEDA PRIMARIA	WEEL PRIMARY DRIVE	ROUE PRIMAIRE
7.3	M202	PIÑON BOMBA AGUA	PINION WATER PUMP	PIGNON POMPE EAU
7.4	M203	CASQUILLO RUEDA PRIMARIA	SPACER PRIMARY DRIVE	DOUILLE ROUE PRIMAIRE
7.5	M204	CHAVETA PIÑON PRIMARIA	WOODRUFF KEY PRIMARY DRIVE	CLAVETTE PIGNON PRIMAIRE
7.6	M205	JAULA AGUJAS 25X33X24	NEEDLE BEARING 25x33x24	CAGE A AIGUILLE 25x33x24
7.7	M206	ARANDELA CONICA 14.2,28X1.5	SPRING WASHER	RONDELLE BELLEVILLE 14.2x28x1.5
7.8	M208	ARANDELA TOPE PRIMARIA INA	WASHER AS2035	RONDEILLE BUTEE R PRIM INA AS2035
7.9	R035	CTO PRIMARIA (CAMPANA RUEDA PIÑON)	PRIMARY DRIVE ASSY	T PRIMAIRECPL (cloche roue pignon)

SHERCO

MODELO 2.5 / 99 GRUPO 12 - CHASIS



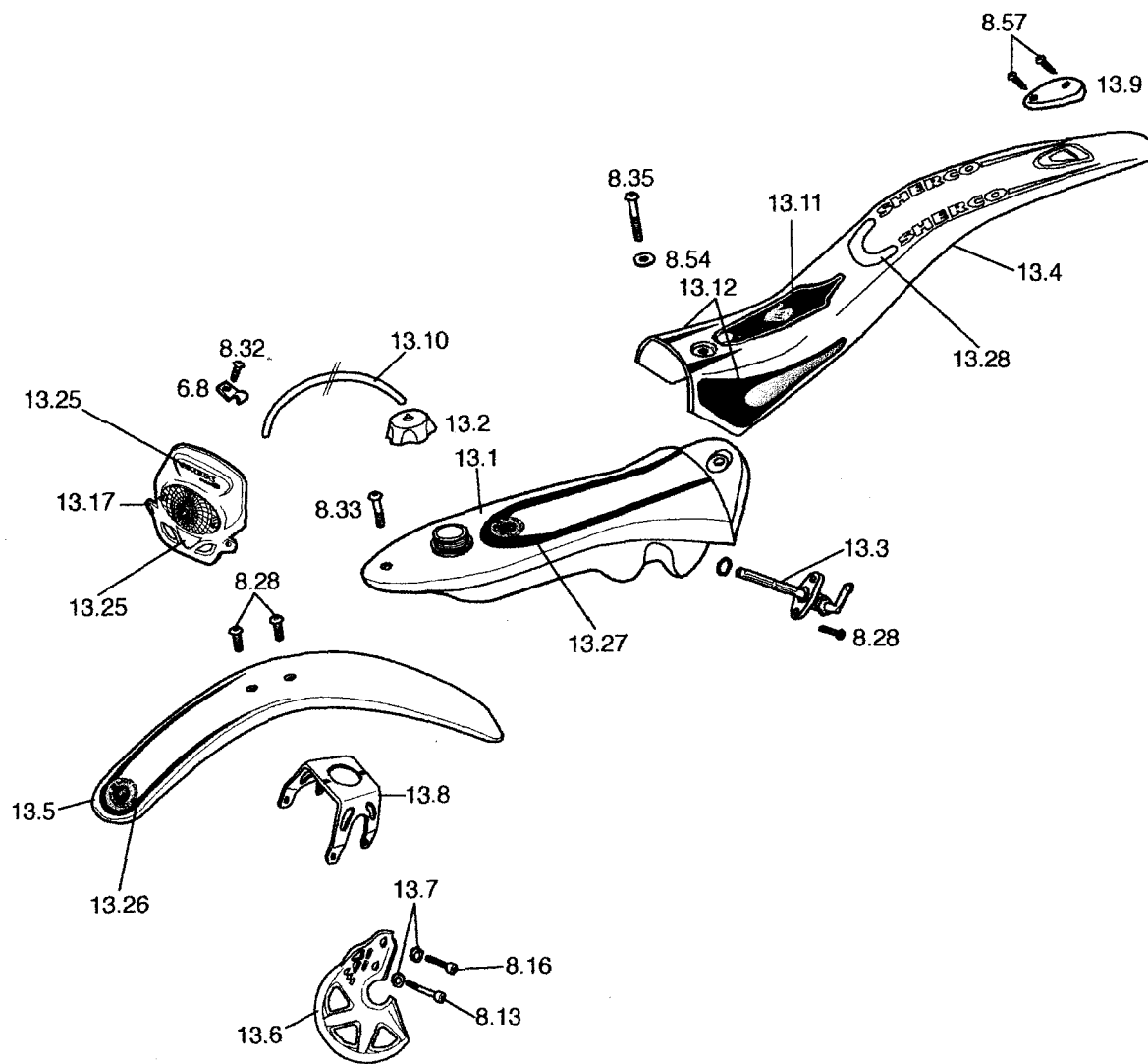
SHERCO

GRUPO 12 CHASIS				
Ref.	Cod	Español	English	Français
12.1	C001	CHASIS	FRAME	CADRE
12.2	C002	SOPORTE CILINDRO	CLINDER SUPPORT	PATE FIXATION CYLINDRE
12.3	C003	PLACA MOTOR	BASH PLATE	SABOT
12.4	C004	CAUCHO PLACA MOTOR	BASH PLATE RUBBER	CAOUTCHOUC MOTEUR
12.5	C005	ESTRIBERA DERECHA	RIGHT FOOTPEG	REPOSE PIED DROITE
12.6	C006	ESTRIBERA IZQUIERDA	LEFT FOOTPEG	REPOSE PIED GAUCHE
12.7	C007	CASQUILLO ESTRIBERA	SPACER FOOTPEG	ENTRETOISE REPOSE PIED
12.8	C008	MUELLE ESTRIBERA	RIGHT FOOTPEG	RESSORT REPOSE PIED DROITE
12.9	C009	COJINETE DIRECCION R32004	STEERING BEARING	ROULEMENT COLONNE DIRECTION
12.10	C010	GUARDA POLVO SUPERIOR PLASTICO	PLASTIC DUST COVER	BAGUE DE PROTECTION HAUTE PLASTIC
12.11	C011	GUARDA POLVO INFERIOR	BAGUE DE PROTECTION BASSE	BAGUE DE PROTECTION BASSE
12.12	C012	MUELLE ESTRIBERA IZQUIERDA	LEFT FOOTPEG SPRING	RESSORT DE REPOSE PIED GAUCHE
12.13	C013	PATIN CADENA CUADRO	SWINGARM CHAIN PROTECTOR	PATIN CHAINE CADRE
12.14	C014	ADHESIVO 2.5 DERECHO	2.5 STICKER RIGHT	ADESIF 2.5 DROITE
12.15	C015	ADHESIVO 2.5 IZQUIERDO	2.5 STICKER LEFT	ADESIF 2.5 GAUCHE
12.16	C016	ADHESIVO PROT. CHASIS DERECHO	STICKER PROTECTOR RIGHT	ADESIF PROTECTION CADRE DROITE
12.17	C017	ADHESIVO PROT. CHASIS IZQUIERDO	STICKER PROTECTOR LEFT	ADESIF PROTECTION CADRE GAUCHE
12.18	C018	SOPORTE BOBINA	HOLDER (electronic box)	SUPPORT DE BOBINE
12.19	C019	TORNILLO ESPECIAL BOBIN/CHASSIS	SPECIAL SCREW (elec box holder)	VIS SPECIALE BOBINE/ CADRE/ RESERV

SHERCO

MODELO 2.5 / 99

GRUPO 13 - CARROCERIA

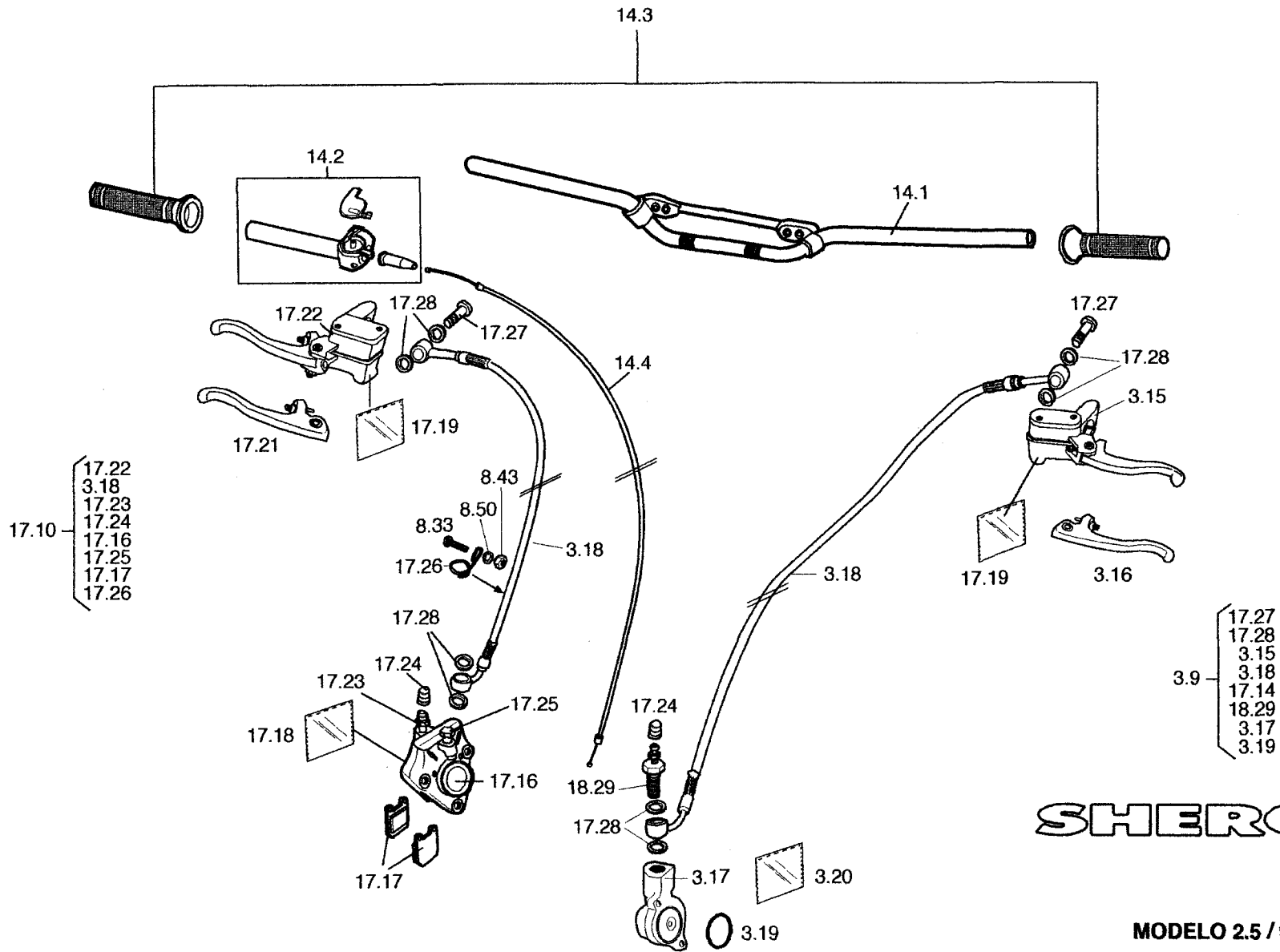


SHERCO

19

GRUPO 13 CARROCERIA			English	Français
Ref.	Cod	Español		
13.1	C021	DEPOSITO GASOLINA	FUEL TANK	RESERVOIR ESSENCE
13.2	C022	TAPON GASOLINA	PETROL CAP	BOUCHON ESSENCE
13.3	C023	GRIFO GASOLINA	PETROL TAP	ROBINET ESSENCE
13.4	C025	GUARDABARROS TRASERO COMPLETO	REAR MUDGUAR COMPLETE	GARDE BOUE ARRIERE COMPLET
13.5	C028	GUARDABARROS DELANTERO	FRONT MUDGUARD	GARDE BOUE AVANT
13.6	C030	PROTECTOR DISCO	DISC COVER	PARE DISQUE
13.7	C031	SEPARADOR CUBREDISCOS DELANTERO	SPACER DISC COVER	ENTRETOISE PARE DISQUE
13.8	C032	PUENTE SUSPENSION	HOLDER (front mudguard)	ARCEAU SUPPORT GARDE BOUE
13.17	C033	PLACA FRONTAL COMPLETA	FRONT LIGHT	PLAQUE PHARE COMPLETE
13.18	C035	REJILLA RADIADOR	RADIATOR PROTECTOR	CALANDRE
13.9	C036	LUZ TRASERA	REAR LIGHT	FEU ARRIERE
13.19	C037	CABLE ELECTRICO	ELECTRIC CABLE	FAISSEAU ELECTRIQUE
13.13	C038	CONMUTADOR LUCES	LIGHT COMMAND	COMUTATEUR ELECTRIQUE
13.14	C039	RECTIFICADOR	DIODE	DIODE REDRESSEUSE
13.15	C040	BOMBILLA FARO DELANTERO	AMPOULE AVANT	AMPOULE AVANT
13.16	C041	BOMBILLA TRASERO	REAR BULB	LED ARRIERE
13.10	C043	TUBO GASOLINA	PETROL TUBE	DURITE ESSENCE
13.11	R041	SILLIN	SEAT	SELLE
13.12	R045	JUEGO ADHESIVOS RESINA LATERAL GB	DECALC PAIRE SILVER	ADESIF RESINE PAIRE GB AR
13.22	C044	INSTALACION ELECTRICA TRASERA	REAR LIGHT WIRE LOOM	FAISEAU ELECTRIQUE FEU ARRIERE
13.23	C060	PLACA FARO	PLASTIC LIGHT COVER	PLAQUE PHARE
13.24	S100	OPTICA COMPLETA	LIGHT LENSE	OPTIQUE
13.21	C045	INSTALACION DELANTERA	FRONT LIGHT WIRE LOOM	FAISEAU ELECTRIQUE PLAQUE PHARE
13.25	S103	ADHESIVOS PLACA FARO	FRONT LIGHT	ADESIF PLAQUE PHARE
13.26	C049	ADHESIVOS GUARDABARROS DELANTERO	FRONT MUDGUARD STICKER	ADESIF GARDEBOUE AVANT
13.27	S090	ADHESIVOS DEPOSITO	PETROL TANK STICKER	ADESIF RESERVOIR ESSENCE
13.28	S091	ADHESIVOS GUARDABARROS TRASERO	REAR MUDGUARD STICKER	ADESIF GARDEBOUE ARRIERE

20



SHERCO

MODELO 2.5 / 99
GRUPO 14 - MANDOS

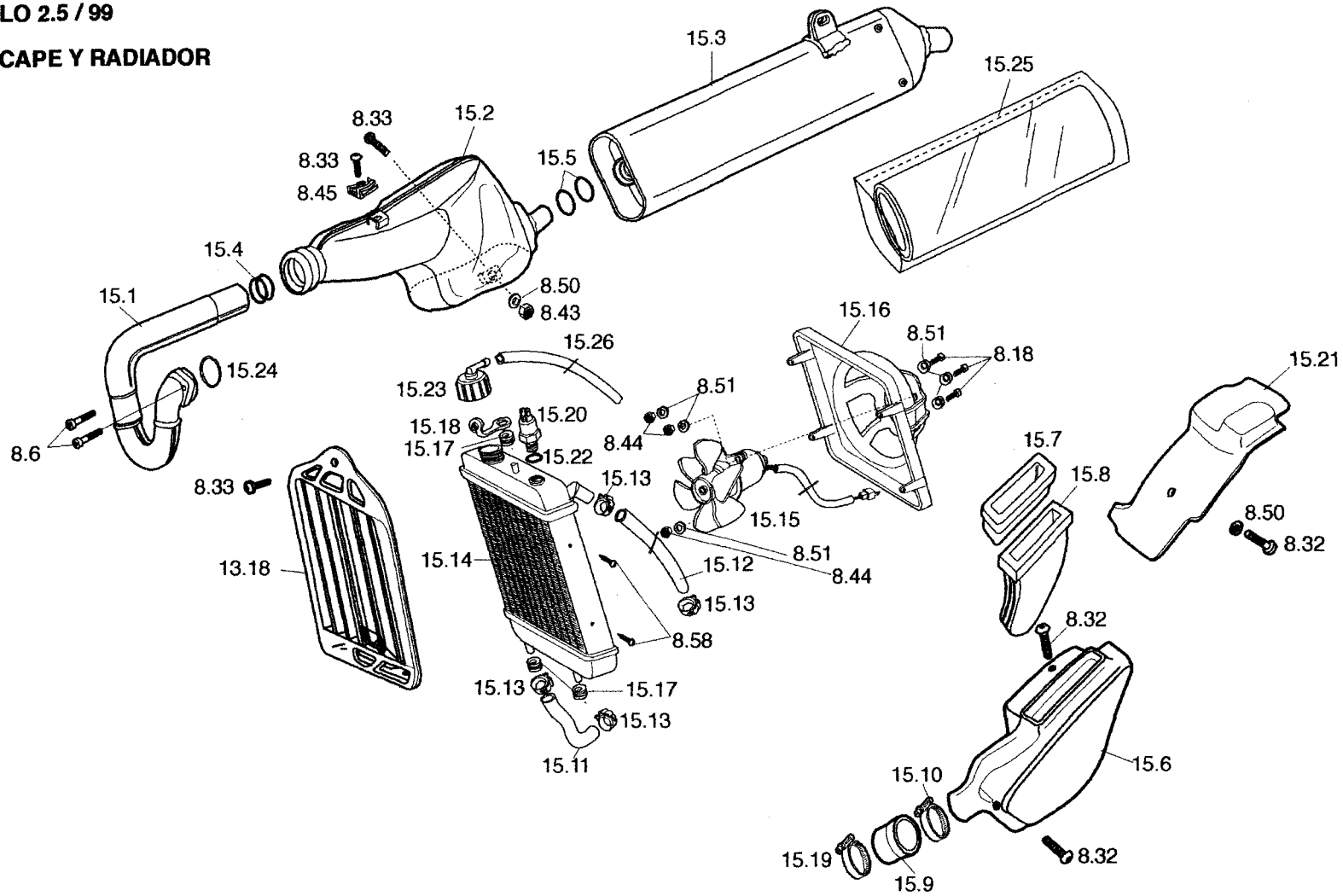
SHERCO

GRUPO 14 MANDOS			English	Français
Ref.	Cod	Español		
14.01	C070	MANILLAR	HANDLEBAR	GUIDON
14.02	C074	MANDO DE GAS	THROTTLE CONTROL	COMMANDE DE GAZ
14.03	C075	JUEGO EMPUÑADURAS BULTACO	BULTACO GRIPS SET	POIGNEE CAOUTCHOUC PAIRE
14.04	C076	CABLE DE GAS	THROTTLE CABLE	CABLE DE GAZ
14.05	R042	CLIP PASTILLAS FRENO	BRAKE PADS CLIP	CLIP PLAQUETE FREIN

SHERCO

MODELO 2.5 / 99

GRUPO 15 - ESCAPE Y RADIADOR

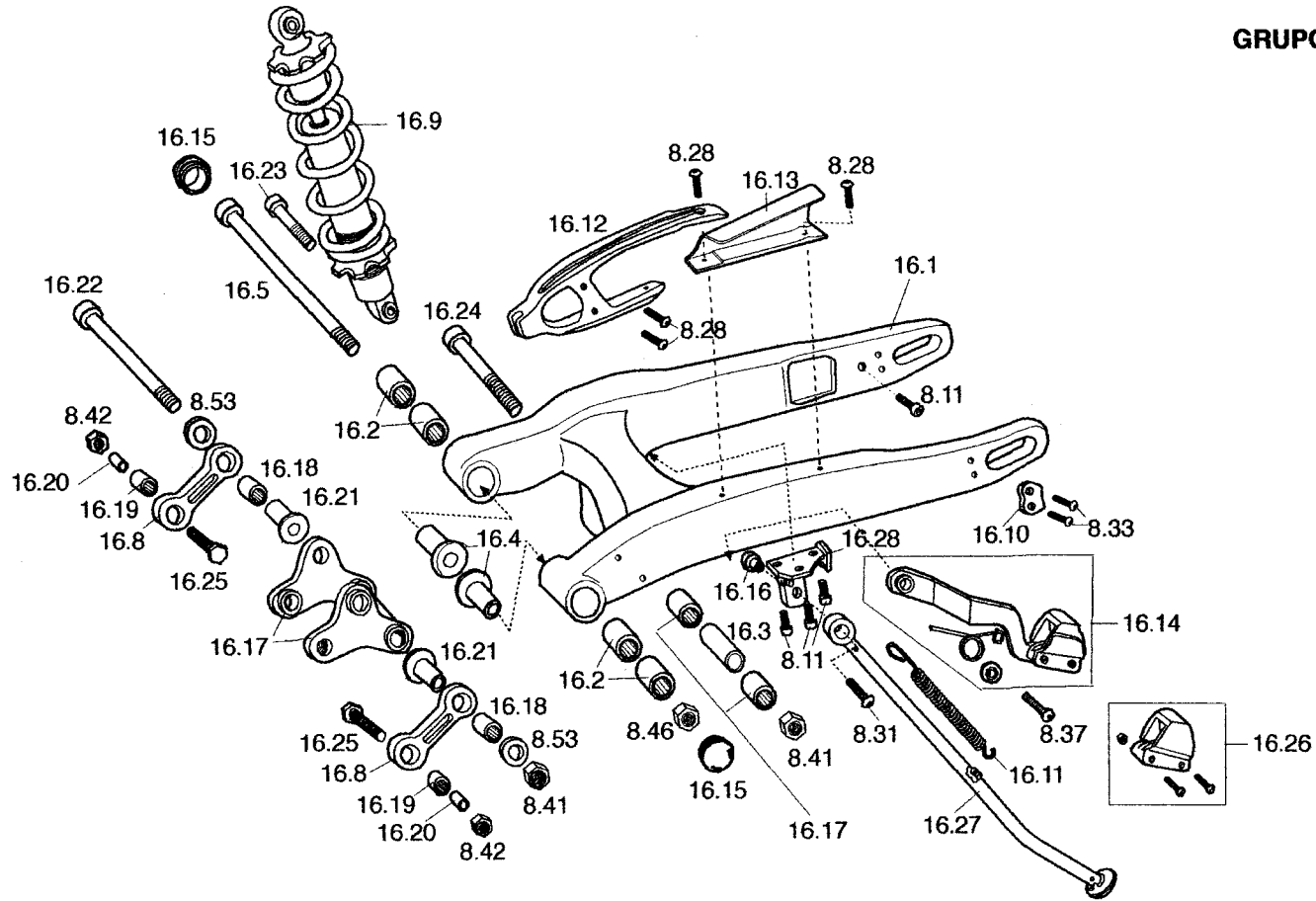


GRUPO 15 ESCAPE Y RADIADOR				
Ref.	Cod	Español	English	Français
15.1	C100	CURVA DE ESCAPE	EXHAUST PIPE	TUBE ECHAPPEMENT
15.2	C101	SILENCIADOR CENTRAL	MIDDLE SILENCER	POT CENTRAL
15.3	C102	SILENCIADOR FINAL	FINAL SILENCER	SILENCIEUX CPL
15.4	C104	JUNTA TORICA SILENCIADOR CENTRAL 44X3,5	O-RING MIDDLE SILENCER	JOINT TORIQUE POT CENTRAL 44x3.5
15.5	C105	JUNTA TORICA SILENCIOSO 27X3	O-RING SILENCER	JOINT TORIQUE SILENCIEUX 27x3
15.6	C106	CAJA FILTRO	AIR FILTER BOX	BOITIER FILTRE AIR
15.7	C107	TAPA FILTRO	AIR FILTER BOX COVER	COUVERCLE FILTRE AIR
15.8	C108	ESPUMA DE FILTRO	TWIN AIR FOAM	MOUSSE DE FILTRE
15.9	C109	TOBERA FILTRO/CARBURADOR	MANIFOLD FILTER/ CARBURETOR	RACCORD FILTRE CARBURETEUR
15.10	C110	ABRAZADERA NORMA 32/50	COLLARD NORMA 32/50	COLLIER NORMA 32/50
15.11	C112	TUBO GOMA BOMBA/RADIADOR	RUBBER TUBE WATERPUMP/ RADIATOR	DURITE POMPE EAU RADIATEUR
15.12	C113	TUBO GOMA CULATA RADIADOR	RUBBER TUBE CILYNDER	DURITE CULASSE RADIATEUR
15.13	C114	ABRAZADERA TUBO RADIADOR	COLLARD NORMA GREEN 21	COLLIER DE DURITE NORMA VERT 21
15.14	C115	RADIADOR	RADIATOR	RADIATEUR
15.15	C116	VENTILADOR	FAN	VENTILATEUR
15.16	C117	SOPORTE VENTILADOR	FAN SUPPORT	SUPPORT DE VENTILATEUR
15.17	C118	SILENT-BLOC RADIADOR	SILENT-BLOC RADIATOR	SILENT-BLOC RADIATEUR
15.18	C119	SOPORTE FIJACION RADIADOR	HOLDER (silent bloc radiator)	PATE FIXATION RADIATEUR
15.19	C120	ABRAZADERA NORMA 30/45	COLLARD NORMA 30/45	COLLIER NORMA 30/45
15.20	C121	TERMOSTATO	THERMOSTAT	SONDE THERMOSTATIQUE
15.21	C123	PROTECTOR CAJA FILTRO	AIR FILTER BOX PROTECTOR	PROTECTEUR FILTRE
15.22	C124	TORICA THERMOSTATO 13,1X1,6	O-RING THERMOSTAT	TORIQUE SONDE THERMO 13.1x1.6
15.23	R046	TAPON RADIADOR	RADIATOR PLUG	BOUCHON DE RADIATEUR
15.25	R040	RECAMBIO FIBRA	REAR SILENCER PACKING FIBRE	RECHANGE FIBRE SILENCIEUX
15.24	C122	JUNTA COBRE SALIDA CILINDRO	EXHAUST GASKET	JOINT CUIVRE 38X44X2,5
15.26	M017	TUBO DRENAJE RADIADOR	RADIATOR TUBE	DURITE RADIATEUR

SHERCO

MODELO 2.5 / 99

GRUPO 16 - BASCULANTE



SHERCO

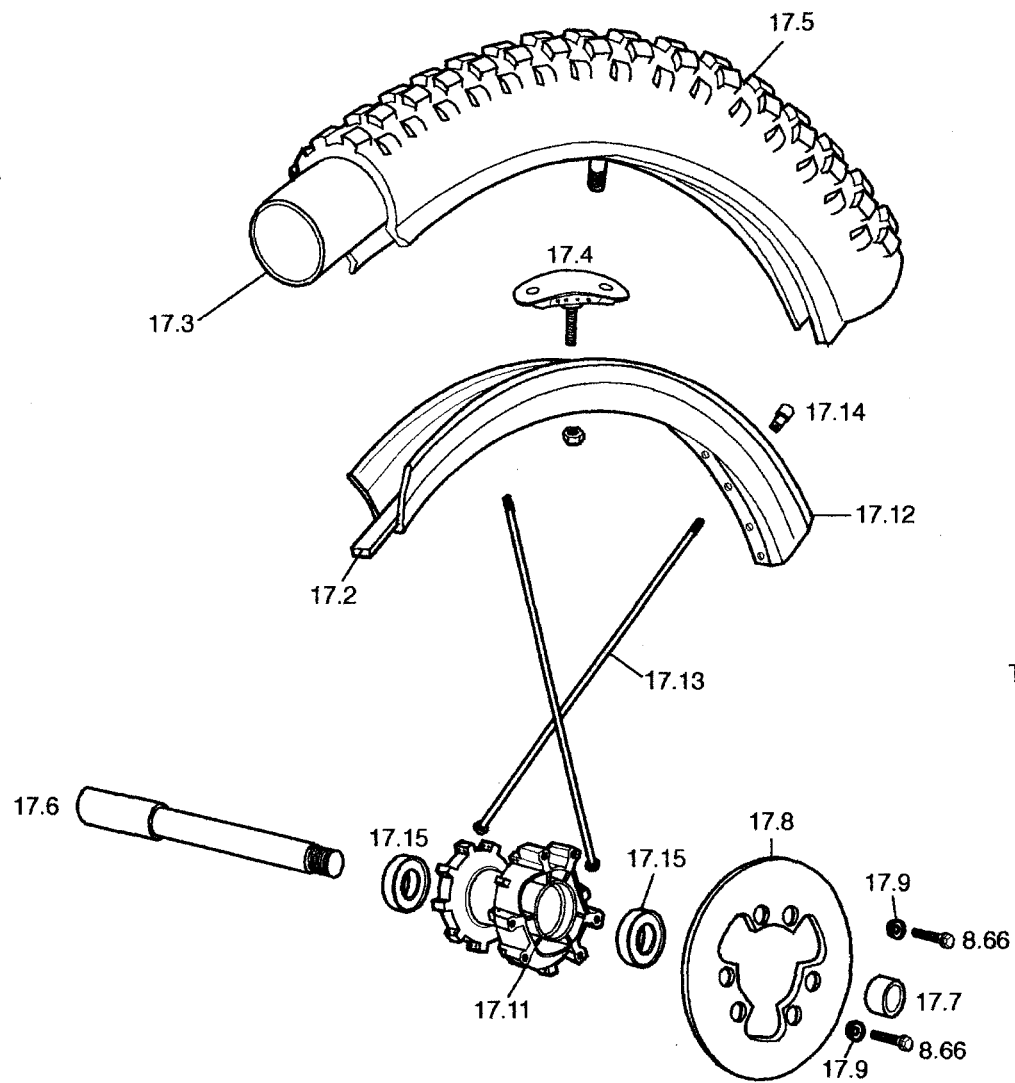
25

GRUPO 16 BASCULANTE				
Ref.	Cod	Español	English	Français
16.1	C150	BASCULANTE	SWINGARM	BRAS OSCILLANT
16.2	C151	CASQUILLO AGUJAS BASCULANTE HK2020/RS	BEARING HK 20x20x2RS	DOUILLE AIGUILLE BRAS HK 20x20x2RS
16.3	C152	SEPARADOR SUSPENSION	SPACER SUSPENSION	ENTRETOISE SUSPENSION
16.4	C153	CASQUILLO EJE BASCULANTE	SPACER SWINGARM	ENTRETOISE ARTICULATION BRAS
16.5	C154	EJE BASCULANTE ALUMINIO	ALUMINIUM SWINGARM AXLE	AXE BRAS OSCILLANT
16.6	C155	TUERCA EJE BASCULANTE	ALUMINIUM SWINGARM BOLT	ECROU BRAS OSCILLANT
16.7	C156	TRAPECIO SUSPENSION	REAR SUSPENSION DELTA LINK	BIELETTE DELTA
16.8	C157	BIELA SUSPENSION	REAR SUSPENSION LINK	BIELETTE TIRANT SIMPLE
16.9	C158	AMORTIGUADOR	REAR SHOCK	AMORTISSEUR
16.10	C159	TOPE DE EXCENTRICAS	EXCENTRIC STOP	BUTEE POUR EXANTRIQUE
16.11	C161	MUELLE CABALLETE	SIDE STAND SPRING	RESSORT DE BEQUILLE
16.12	C162	PATIN CADENA	CHAIN GUIDE PLATE	PATIN DE CHAINE
16.13	C163	CUBRECADENAS	CHAIN PROTECTOR	CARTER DE CHAINE
16.14	C164	TENSOR CADENA COMPLETO MUELLE + CASQUILLO	CHAIN TENSIONER	TENDEUR DE CHAINE CPL
16.15	C165	TAPON EJE BASCULANTE	COVER SWING ARM AXLE	BOUCHON AXE BRAS OSCILLANT
16.16	C166	TORNILLO ESPECIAL CABALLETE	SIDE STAND SPECIAL BOLT	VIS SPECIALE BEQUILLE
16.17	C167	CASQUILLO AGUJAS BASCULANTE HK16202RS	BEARING HK16202RS	DOUILLE AIGUILLE BRAS/SUSP HK
16.18	C168	CASQUILLO AGUJAS BIELETA SUSP. HK16162RS	DOUILLE AIGUILLE TIRANT HK16162RS	DOUILLE AIGUILLE TIRANT HK 16162RS
16.19	C169	CASQUILLO AGUJAS BIELETA SUSP. HK14162RS	BEARING HK14162RS	DOUILLE AIGUILLE TIRANT HK14162RS
16.20	C170	CASQUILLO BIELETA	LINK SPACER	ENTRETOISE TIRANT
16.21	C171	CASQUILLO BIELETA CON ARANDELA	LINK SPACER	ENTRETOISE TIRANT EPAULEE
16.22	C172	EJE 10X120	PIN 10x120	AXE 10x120
16.23	C173	EJE 10X40	PIN 10x40	AXE 10x40
16.24	C174	EJE 10X65	PIN 10x65	AXE 10x65
16.25	C175	TORNILLO HEXAGONAL CABEZA REBAJADA	SPECIAL HEAD SCREW HEX	VIS HEXA TETE BASSE
16.26	R047	GOMA TENSOR CADENA	CHAIN STRETCHER PLATE	CAOUTCHOUC TENDEUR SEUL
16.27	S131	CABALLETE	LATERAL STAND	BEQUILLE SEULE
16.28	S132	SOPORTE CABALLETE	STAND HOLDER	SUPPORT DE BEQUILLE

SHERCO

MODELO 2.5 / 99

GRUPO 17 - RUEDA DELANTERA



17.1
TODOS MENOS

17.6
17.7

SHERCO

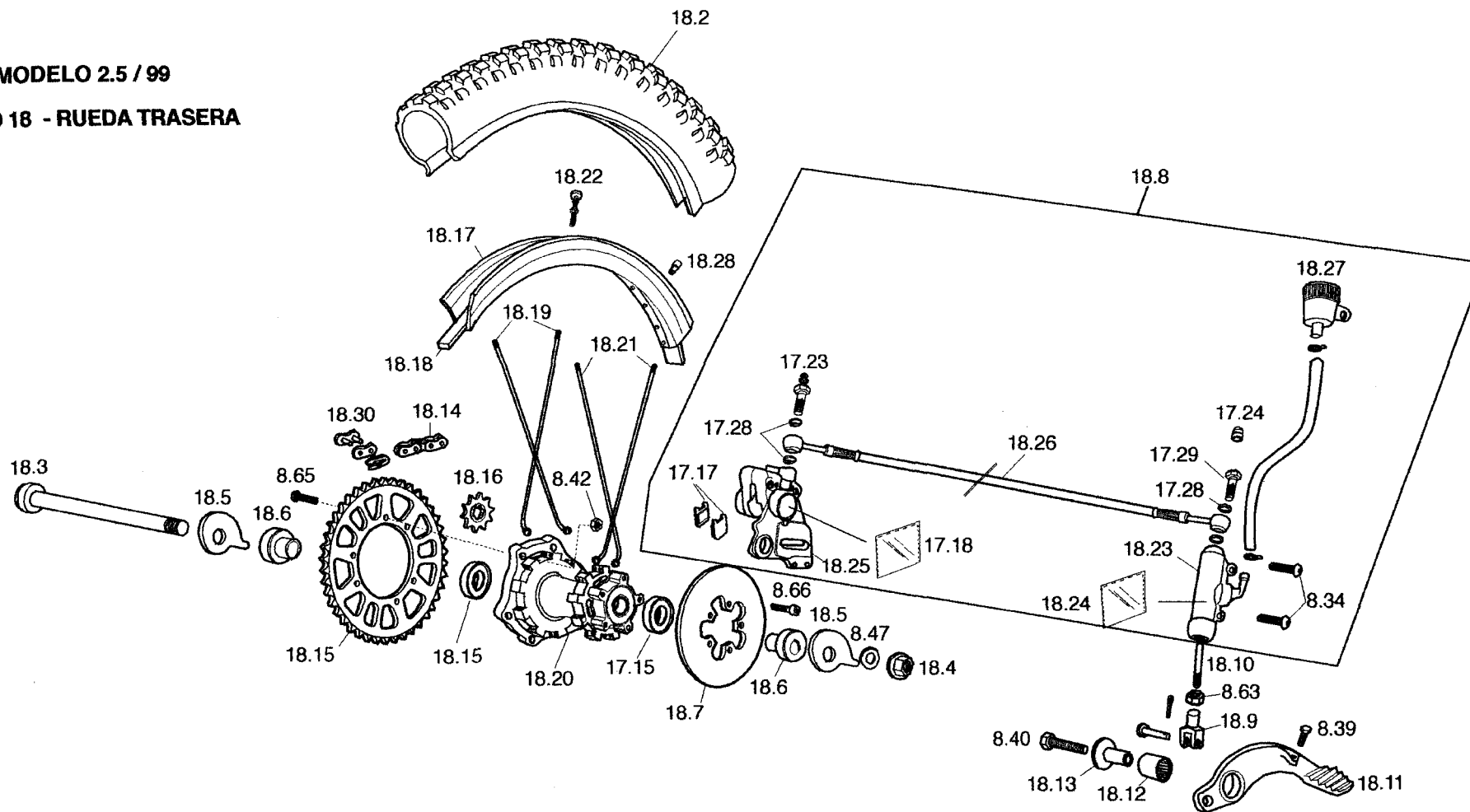
GRUPO 17 RUEDA DELANTERA				
Ref.	Cod	Español	English	Français
17.1	C200	RUEDA DELANTERA COMPLETA	FRONT WHEEL	ROUE AVANT COMPLETE.
17.2	C201	GOMA PROTECCION LLANTA	RIM RUBBER PROTECTION	RUBAN FOUND DE JANTE R14025
17.3	C202	CAMARA 21	21 TUBE	CHAMBRE A AIR 21AB
17.4	C203	AGARRACUBIERTAS	TYRE STAY	GRIPSTER
17.5	C204	NEUMATICO DELANTERO 2.75X21	FRONT TIRE 2.75x21	PNEU AVANT 275x21
17.6	C205	EJE RUEDA DELANTERA	FRONT WHEEL AXLE	AXE DE ROUE AVANT
17.7	C206	SEPARADOR EJE RUEDA DELANTERA	BUSH FRONT WHEEL	ENTRETOISE ROUE AVANT
17.8	C208	DISCO FRENO DELANTERO	FRONT DISK	DISQUE FREIN AVANT
17.9	C209	SEPARADOR DISCO DELANTERO	SPACER DISC	ENTRETOISE DISQUE AVANT
17.10	C210	GRUPO FRENO DEL COMPLETO	FRONT BRAKE GROUP COMPLETE	GROUPE FREIN AVANT CPL
17.11	R001	BUJE DELANTERO	FRONT HUB	MOYEU AVANT CPL
17.12	R002	LLANTA DELANTERA	FRONT RIM	JANTE AVANT
17.13	R003	RADIO DELANTERO	FRONT SPOCKE	RAYON AVANT
17.14	R048	TUERCA RADIO DELANTERO	FRONT NEEPLE SPOCKE	ECROU DE RAYON AVANT
17.15	R049	RODAMIENTO BUJE 60042RS	BEARING HUB	ROULEMENT DE MOYEU 6004 2RS
17.16	R050	PINZA FRENO DELANTERO	FRONT CALIPER ASSY	ETRIER FREIN AVANT
17.17	R051	PASTILLA FRENO	PAD BRAKE	PLAQUETTES FREIN PAIRE
17.18	R052	KIT REPARACION PINZA	KIT REPAIR CALIPER	KIT REPARATION ETRIER
17.19	R053	KIT REPARACION BOMBA DELANTERO	KIT REPAIR MASTER CYLINDER CPL	KIT REPARATION POMPE FREIN
3.18	R054	LATIGUILLO FRENO DELANTERO	FRONT BRAKE HOSE	DURITE FREIN AVANT
17.21	R055	MANETA FRENO	FRONT BRAKE LEVER	LEVIER FREIN AVANT SEUL
17.22	R056	BOMBA FRENO DELANTERO	FRONT PUMP ASSY	POMPE FREIN AV CPL
17.23	R057	SANGRADOR DELANTERO	PURGE STIRRUP SCREW	PURGEUR ETIER AVANT
17.24	R058	TAPON SANGRADOR	HOOD SCREW PURGE	CAPUCHON VIS DE PURGE
17.25	R059	TORNILLO RACORD M10X21	LINK SCREW M10x21	VIS RACCORD M10 x 21
17.26	R043	GANCHO LATIGUILLO	WIRE GUIDE LOOP	GUIDE ETRIER
17.27	R044	TORNILLO RACORD ULS	BANJO BOLT	VIS BANJO
17.28	R074	ARANDELA BANJO	COPPER O-RING	JOINT CUIVRE
17.29	R027	INTERRUPTOR STOP FRENO DEL.	FRONT STOP LIGHT SWITCH	CONTACTEUR FREIN AVANT

SHERCO

MODELO 2.5 / 99

GRUPO 18 - RUEDA TRASERA

28



GRUPO 18 RUEDA TRASERA				
Ref.	Cod	Español	English	Français
18.1	C250	RUEDA TRASERA COMPLETA	REAR WHEEL	ROUE ARRIERE COMPLETE
18.2	C251	NEUMATICO 400X18 TUBELESS	REAR TYRE 400 x 18	PNEU ARRIERE 400 x 18
18.3	C252	EJE RUEDA TRASERA	REAR WHEEL AXLE	AXE ROUE ARRIERE
18.4	C253	TUERCA EJE TRASERO	REAR AXLE NUT	ECROU ROUE ARRIERE
18.5	C254	EXCENTRICAS	RUNNER CHAIN	EXENTRIQUE TENDEUR CHAINE
18.6	C255	SEPARADOR RUEDA TRASERA	REAR BRUSH	ENTRETOISE ROUE AR
18.7	C257	DISCO FRENO TRASERO	REAR DIC BRAKE	DISQUE FREIN ARRIERE
18.8	C258	GRUPO TRASERO COMPLETO	REAR BRAKE GROUP COMPLETE	GROUPE FREIN ARRIERE CPL
18.9	C259	HORQUILLA PEDAL DE FRENO	REAR BRAKE ROD	CHAPE PEDALE FREIN
18.10	C261	TIJA PEDAL FRENO TRASERO	PIN BRAKE ROD	TIGE FREIN ARRIERE
18.11	C262	PEDAL FRENO TRASERO	REAR BRAKE PEDAL	PEDALE DE FREIN
18.12	C263	CASQUILLO AGUJAS PEDAL DE FRENO	BEARING HK 12162RS	DOUILLE AIGUILLE PEDALE FREIN
18.13	C264	CASQUILLO PEDAL DE FRENO	SPACER BRAKE PEDAL	ENTRETOISE PEDALE DE FREIN
18.14	C265	CADENA 100 PASOS	CHAIN 100Z	CHAINE 100M
18.15	C266	CORONA 42Z	REAR SPROCKET 42Z	COURRONE 42D
18.16	C267	PIÑON SALIDA 10 Z	SPOCKET 10T	PIGNON 10 DENTS
18.17	R004	LLANTA TRASERA	REAR RIM	JANTE ARRIERE
18.18	R005	FLAP	STRIP	FLAP DE ROUE ARRIERE
18.19	R006	RADIO TRASERO L215	SPOKE L215	RAYON ARRIERE 215
18.20	R007	BUJE TRASERO CON RODAMIENTOS	REAR HUB	MOYEU ROUE ARRIERE
18.21	R060	RADIO TRASERO L208	REAR SPOKE L208	RAYON AR208
18.22	R061	VALVULA	TUBLESS VALVE	VALVE AR
18.23	R062	BOMBA FRENO TRASERO	REAR MASTER CYLINDER	POMPE FREIN AR
18.24	R063	KIT REP. BOMBA TRASERA	KIT REPAIR REAR MASTER CYLINDER	KIT REP POMPE FREIN AR
18.25	R064	PINZA FRENO TRASERA	REAR CALIPER	ETRIER FREIN AR
18.26	R065	LATIGUILLO FRENO TRASERO	REAR BRAKE HOSE	DURITE FREIN AR
18.27	R066	DEPOSITO LIQUIDO FRENO	OIL TANK BRAKE	BOCAL LIQUIDE FREIN
18.28	R067	TUERCA RADIOS TRASEROS	REAR NIPPLE SPOKE	ECROU DE RAYON AR
18.29	R068	SANGRADOR RACORD	PURGE STIRRUP SCREW	PURGEUR RACORD
18.31	R069	TUBO LIQUIDO FRENO BOTELLA	BRAKE FLUID TUBE	DURITE BOCAL
18.30	R034	ENGANCHE CADENA	SPLIT LINK	ATACHE RAPIDE DE CHAINE

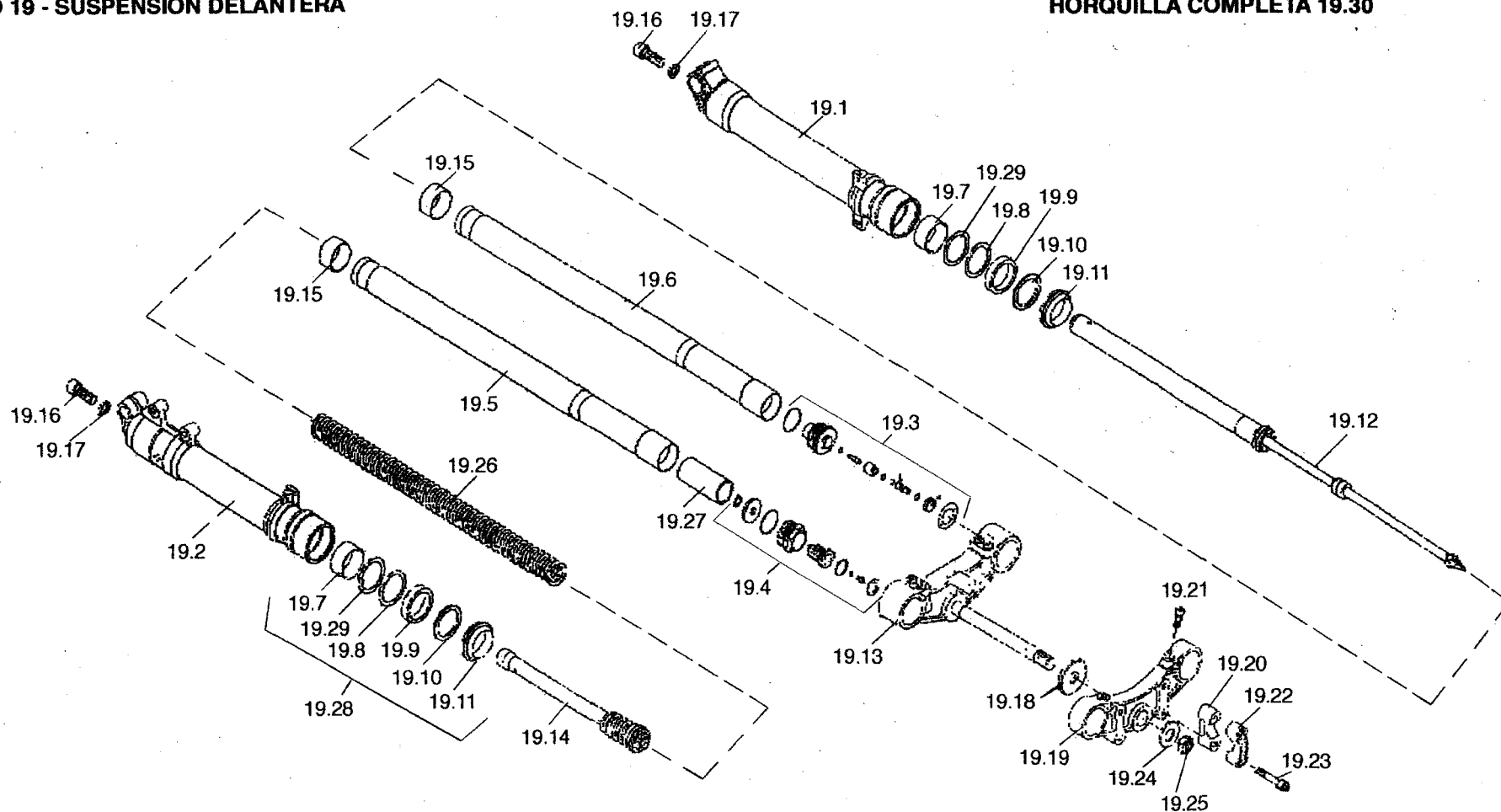
SHERCO

MODELO 2.5 / 99

GRUPO 19 - SUSPENSION DELANTERA

HORQUILLA COMPLETA 19.30

30



GRUPO 19 SUSPENSION DELANTERA			English	Français
Ref.	Cod	Español		
19.1	R076	BOTELLA DERECHA	FORK LEG (LEFT)	GROUPE JAMBE DROITE FOURCHE
19.2	R077	BOTELLA IZQUIERDA	FORK LEG (RIGHT)	GROUPE JAMBE GAUCHE FOURCHE
19.3	R078	TAPON DERECHO	PLUG (RIGHT)	BOUCHON DROITE FOURCHE
19.4	R079	TAPON IZQUIERDO	PLUG (LEFT)	BOUCHON GAUCHE FOURCHE
19.5	R080	BARRA IZQUIERDA	FORK TUBE (LEFT)	TUBE FOURCHE GAUCHE
19.6	R081	BARRA DERECHA	FORK TUBE (RIGHT)	TUBE FOURCHE DROITE
19.9	R070	RETEN. SUSPENSION DELANTERA	FORK OIL SEAL	JOINT SPIE DE FOURCHE
19.11	R096	GUARDAPOLVO	DUST SEAL	PARE POUSSIERE FOURCHE
19.12	R083	CARTUCHO DERECHO	PUMPING DEVICE COMPLETE	GROUPE CARTOUCHE DROITE
19.13	R082	PLATINA INFERIOR CON EJE	BOTTOM PLATE	GROUPE T DE FOURCHE INTERIEUR
19.14	R084	CARTUCHO IZQUIERDO	ROD	GROUPE CARTOUCHE GAUCHE
19.16	R085	TORNILLO M12X25 HORQUILLA	BOLT M12X25	VIS CHC 12X25 FOURCHE
19.18	R086	TUERCA DIRECCION	RING NUT	RONDELLE ECROU AXE DIRECTION
19.19	R087	PLATINA SUPERIOR	UPPER PLATE	T DE FOURCHE SUPERIEUR
19.20	R072	BRIDA INFERIOR MANILLARD	BOTTOM BAR U-CLAMP	BRIDE GUIDON INFERIEURE
19.21	M262	TORNILLO ALLEN M8X30	BOLT M8X30	VIS CHC M8X30
19.22	R073	BRIDA SUPERIOR MANILLAR	TOP BAR U-CLAMP	BRIDE GUIDON SUPERIEURE
19.23	M264	TORNILLO ALLEN M8X45	BOLT M8X45	VIS CHC M8X45
19.24	R088	ARANDELA DIRECCION	WASHER	RONDELLE DIRECTION FOURCHE
19.25	R089	TORNILLO DIRECCION	NUT	VIS ALU AXE DIRECTION
19.26	R090	MUELLE HORQUILLA	SPRING	RESSORT FOURCHE
19.27	R095	TOPE MUELLE	BUSH (TOP)	ENTRETOISE RESSORT FOURCHE
19.28	R071	KIT REPARACION RETEN. SUSP. DELANTERA	FORK BUSH & SEAL KIT COMPLETE	GROUPE GARNITURE FOURCHE COMPLETE
19.30	C300	SUSPENSION DELANTERA COMPLETA	FRONT FORK COMPLETE	FOURCHE CPL
19.31	R091	BRIDA SOPORTE GUARDABARROS	MUDGUARD BRIDGE SUPPORT	BAGUE ALU SUPPORT ARCEAU PARE BOUE
19.32	R092	CASQUILLO PORTARETEN	OIL SEAL HOLDER	BAGUE ALU SUPPORT JOINT SPIE
19.33	R093	TORNILLO M4X8 DRENAJE	BOLT M4X8	VIS M4X8 FOURCHE
19.34	R094	ARANDELA TEFLON	TEFLON WASHER	RONDELLE TEFLON FOURCHE

SHERCO

32

GRUPO 8 TORNILLERIA STANDAR			English	Français
Ref.	Cod	Español		
8.1	M250	TORNILLO CHC 5X16	SCREW CHC 5x16	VIS CHC 5x16
8.2	M251	TORNILLO 6X16	SCREW CHC 6x16	VIS CHC 6x16
8.3	M252	TORNILLO 6X20	SCREW CHC 6x20	VIS CHC 6x20
8.4	M253	TORNILLO 6X30	SCREW CHC 6x30	VIS CHC 6x30
8.5	M254	TORNILLO 6X55	SCREW CHC 6x55	VIS CHC 6x55
8.6	M255	TORNILLO CHC 6X25	SCREW CHC 6x25	VIS CHC 6x25
8.7	M256	TORNILLO 6X45	SCREW CHC 6x45	VIS CHC 6x45
8.8	M257	TORNILLO 6X60	SCREW CHC 6x60	VIS CHC 6x60
8.9	M258	TORNILLO BHC 5X16	SCREW CHC 5x16	VIS BHC 5x16
8.10	M259	TORNILLO CHC 10X50	SCREW CHC 10x50	VIS CHC 10x50
8.11	M260	TORNILLO CHC 8X12	SCREW CHC 8x12	VIS CHC 8x12
8.12	M261	TORNILLO CHC 8X20	SCREW CHC 8x20	VIS CHC 8x20
8.13	M262	TORNILLO CHC 8X30	SCREW CHC 8x35	VIS CHC 8x35
8.14	M263	TORNILLO CHC 8X40	SCREW CHC 8x40	VIS CHC 8x40
8.15	M264	TORNILLO CHC 8X45	SCREW CHC 8x45	VIS CHC 8x45
8.16	M265	TORNILLO CHC 8X60	SCREW CHC 8x60	VIS CHC 8x60
8.17	M266	TORNILLO CHC 8X80	SCREW CHC 8x80	VIS CHC 8x80
8.18	M267	TORNILLO CHC 4X16	SCREW VIS CHC 4x16	VIS CHC 4x16
8.19	M268	TORNILLO BHC 6X16 CARROSSERIE	SCREW BHC 6x16 CARROSSERIE	VIS BHC 6x16 CARROSSERIE
8.20	M269	TORNILLO BHC 6X20 CARROSSERIE	SCREW BHC 6x20 CARROSSERIE	VIS BHC 6x20 CARROSSERIE
8.21	M270	REMACHE 4X10	RIVET 4x10	RIVET 4x10
8.22	M271	TUERCA X 6 CON VALONA	COLLAR HEX NUT M6	ECROU EMBASE x6
8.23	M272	TUERCA X 8 CON VALONA	COLLAR HEX NUT M8	ECROU EMBASE x8
8.24	M273	NORMA BSL 1X8	CAVALIER NORMA BSL 1x8	CAVALIER NORMA BSL 1x8
8.25	M275	ARANDELA X 5	WASHER x5	RONDELLE x 5
8.26	M276	ARANDELA COBRE DIAM. 6	GASKET RING x6	RONDELLE CUIVRE DIAM 6
8.27	M277	ARANDELA COBRE X 5	GASKET RING x5	RONDELLE CUIVRE M5
8.28	M278	TORNILLO 5X10 ULS	SCREW BHC 5x10	BHC 5x10
8.29	M279	TORNILLO 6X20 ULS	SCREW BHC 6x20	VIS BHC 6x20
8.30	M280	TORNILLO BHC 8X16	SCREW BHC 8x16	VIS BHC 8x16
8.31	M281	TORNILLO BHC 8X12	SCREW BHC 8x12	VIS BHC 8x12
8.32	M282	TORNILLO BHC 6X10	SCREW BHC 6x10	VIS BHC 6x10
8.33	M283	TORNILLO BHC 6X16	SCREW BHC 6x16	VIS BHC 6x16
8.34	M284	TORNILLO BHC 6X25	SCREW BHC 6x25	VIS BHC 6x25
8.35	M285	TORNILLO BHC 6X45	SCREW BHC 6x45	VIS BHC 6x45
8.36	M286	TORNILLO BHC 4X10	SCREW BHC 4x10	VIS BHC 4X10
8.37	M300	TORNILLO FHC 8X35	SCREW FHC 8x35	VIS FHC 8x35
8.38	M301	TORNILLO FHC 8X20	SCREW FHC 8x20	VIS FHC 8x20
8.39	M302	TORNILLO HEXAG. 5X12	SCREW HEXAG 5x12	VIS HEXAG 5x12
8.40	M303	TORNILLO HEXAG. 8X25	SCREW HEXAG 8x25	VIS HEXAG 8x25
8.41	M304	TUERCA NYLSTOP M10	NUT NYLSTOP M10	ECROU NYLSTOP M10
8.42	M305	TUERCA NYLSTOP M8	NUT NYLSTOP M8	ECROU NYLSTOP M8
8.43	M306	TUERCA NYLSTOP M6	NUT NYLSTOP M6	ECROU NYLSTOP M6
8.44	M307	TUERCA NYLSTOP M4	NUT NYLSTOP M4	ECROU NYLSTOP M4
8.45	M308	TUERCA CLIP M6	NUT CLIP M6	ECROU CLIP M6
8.46	M310	TUERCA PLAT M14X150	NUT PLAT M14 x 150	ECROU PLAT M14x150

GRUPO 8 TORNILLERIA STANDAR				
Ref.	Cod	Español	English	Français
8.47	M314	ARANDELA X 16	WASHER x16	RONDELLE x 17
8.48	M315	ARANDELA X 10	WASHER x10	RONDELLE x 10
8.49	M316	ARANDELA X 8	WASHER x 8	RONDELLE x 8
8.50	M317	ARANDELA X 6	WASHER x 6	RONDELLE x 6
8.51	M318	ARANDELA 4X12	WASHER 4x12	RONDELLE 4x12
8.52	M319	ARANDELA 8X18X1.5	WASHER 8x18x1.5	RONDELLE 8x18x1.5
8.53	M320	ARANDELA 10X30	WASHER 10x30	RONDELLE 10x30
8.54	M321	ARANDELA 6X18	WASHER 6x18	RONDELLE 6x18
8.55	M330	COLLIER 178X4.8	COLLIER 178x4.8	COLLIER 178x4.8
8.56	M331	COLLIER 80X2.5	COLLIER 80x2.5	COLLIER 100x2.5
8.57	M335	TORNILLO TOLE 3.9X16 PILOTO TRASERO	SCREW TOLE 3.9x16	VIS TOLE 3.9x16
8.58	M336	TORNILLO TOLE 2.9X9.5 RADIADOR	SCREW TOLE 2.9x9.5	VIS TOLE 2.9x9.5
8.59	M340	TORNILLO M6X6 CYLI REGULADOR	SCREW M6 x 6 CYLI	VIS M6x6 CYLI
8.65	M287	TORNILLO CORONA M8X20 ULS	BOLT	VIS BHC 8X20
8.62	M333	TORNILLO CHAPA 2,9X13	SCREWS	VIS TOLE 2,9X13
8.61	M332	TORNILLO CHAPA 4,2X22	SCREWS	VIS TOLE 4,2X22
8.60	M341	REMACHE 4.8X16 ALA ANCHA	RIVET 4.8x16	RIVET 4,8X16
8.66	M252	TORNILLO ALLEN M6X20 DIN 6912	M6x20 BOLT	VIS CHC M6X20 TETE BASE
8.63	M309	TUERCA M6	M6 NUT	ECROU M6
8.64	M311	TUERCA M5	M5 NUT	ECROU M5

GRUPO 9 TORNILLERIA ESPECIAL MOTOR				
Ref.	Cod	Español	English	Français
9.1	M290	ESPARRAGO CULATA 6X38	STUD CYLINDER HEAD 6x38	GOUJON DE CULASSE 6x38
9.2	M291	ESPARRAGO CILINDRO 8X46	STUD CYLINDER 8x46	GOUJON DE CILYNDRE 8x46
9.3	M293	TUERCA CUBO EMBRAGUE	HEX NUT CLUTCH M16x125	ECROU NOYAU EMB M16x125
9.4	M295	TUERCA 14X125	HEX NUT M14x125	ECROU 14x125
9.5	M296	TORNILLO MOTOR ALUMINIO	FRONT PIN ENGINE	AXE MOTEUR AV ALU